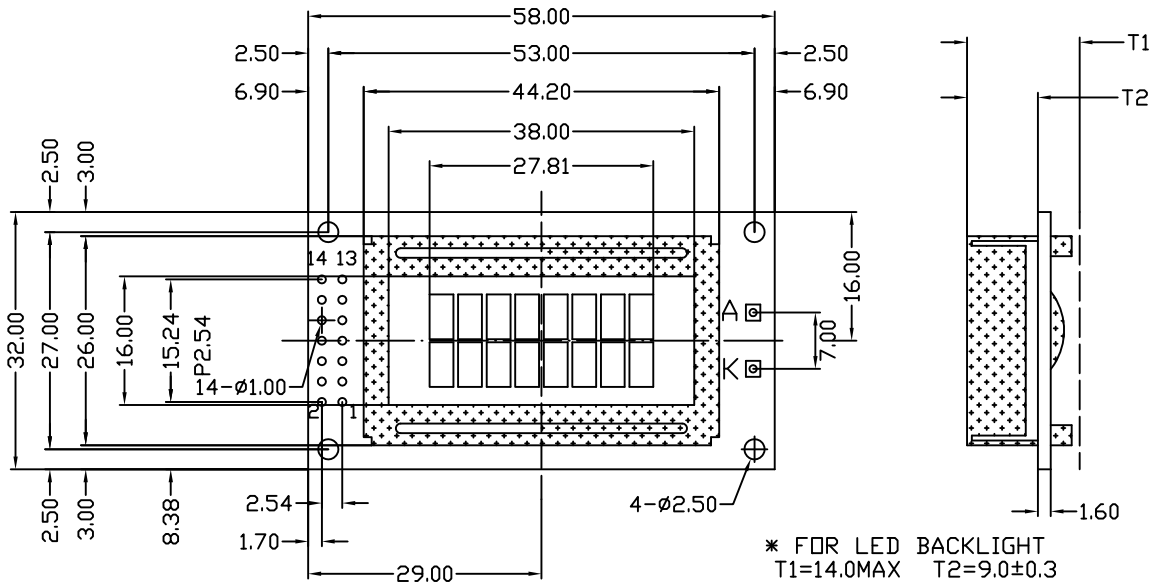
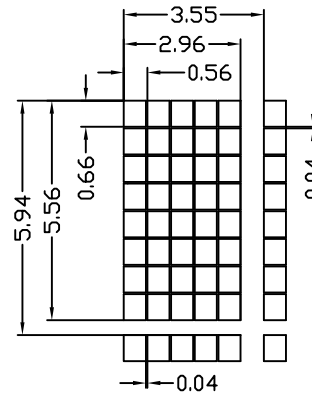
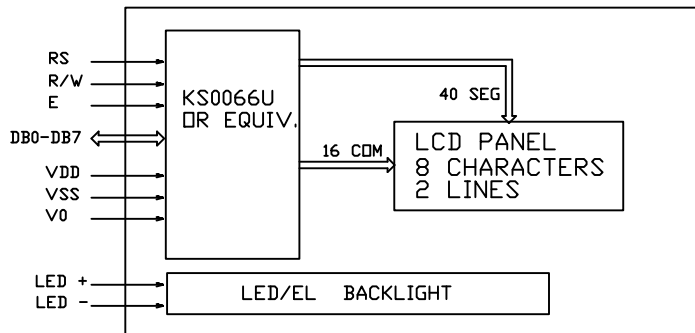


LINK-SUN (HONG KONG) ELECTRONICS LTD

Model No: LSM0802-1



* FOR LED BACKLIGHT
T1=14.0MAX T2=9.0±0.3
* FOR EL OR NO BACKLIGHT
T1=10.0MAX T2=5.0±0.3



PINS ASSIGNMENT		
NO.	SYMBOL	DESCRIPTION
1	VSS	POWER SUPPLY
2	VDD	POWER SUPPLY
3	V0	OPERATING VOLTAGE FOR LCD
4	RS	DATA/INSTRUCTION SELECT
5	R/W	READ/WRITE CONTROL
6	E	ENABLE SIGNAL
7--14	DB0--DB7	DATA BUS
	A	POWER SUPPLY FOR LED BACKLIGHT (+)
	K	POWER SUPPLY FOR LED BACKLIGHT (-)

ELECTRICAL CHARACTERISTICS (VDD=5.0±0.25V, 25°C)					
ITEM	SYMBOL	MIN	TYP	MAX	UNIT
VOLTAGE FOR LOGIC	VDD-VSS	4.75	5.0	5.25	V
SUPPLY CURRENT	IDD	-	1.0	1.3	mA
VOLTAGE FOR LCD	VDD-V0	-	4.6	-	V
INPUT VOLTAGE	H	VIH	2.2	-	VDD
	L	VIL	-0.3	-	0.6
OUTPUT VOLTAGE	H	VoH	2.4	-	V
	L	VoL	-	-	0.4

OPTIONS	
1.	LCD TYPE: Y/G STN; GRAY STN; TN
2.	BACKLIGHT: WITHOUT BACKLIGHT; LED; EL
3.	COLOR OF BACKLIGHT: Y/G; BLUE; WHITE
4.	TEMPERATURE RANGE: NORMAL(0--50°C) EXTENDED(-20--70°C)
5.	POWER SUPPLY: 5.0V; 3.0V
6.	VIEWING ANGLE: 6H; 12H
7.	CHARACTER TABLE: JAPANESE; EUROPEAN; CYRILLIC

MECHANICAL SPECIFICATIONS		
ITEM	SPECIFICATION	UNIT
OVERALL SIZE	58.0W x 32.0H x 14.0T(10.0T)	MM
VIEWING AREA	38.0W x 16.0H	MM
CHARACTERS	8 CHARACTERS x 2 LINES	
CHARACTER SIZE	2.96W x 5.56H	MM
CHARACTER PITCH	3.55W x 5.94H	MM

ABSOLUTE MAXIMUM RATING				
ITEM	SYMBOL	MIN	MAX	UNIT
POWER SUPPLY(LOGIC)	VDD-VSS	-0.3	7.0	V
POWER SUPPLY(LCD DR)	VDD-V0	-0.3	13.5	V
INPUT VOLTAGE	VI	-0.3	VDD	V