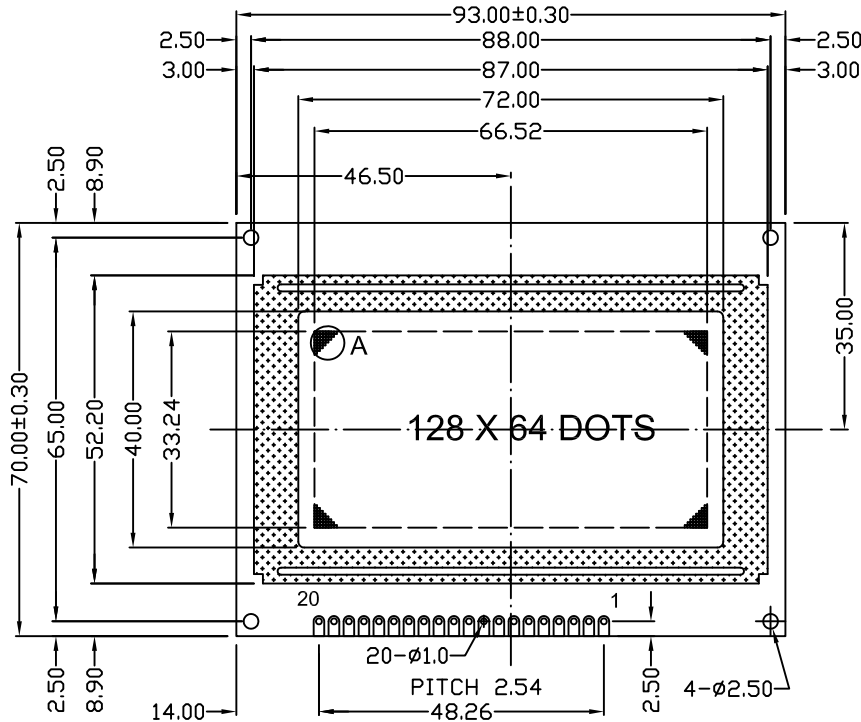
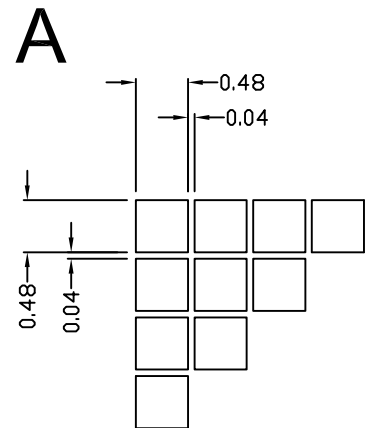
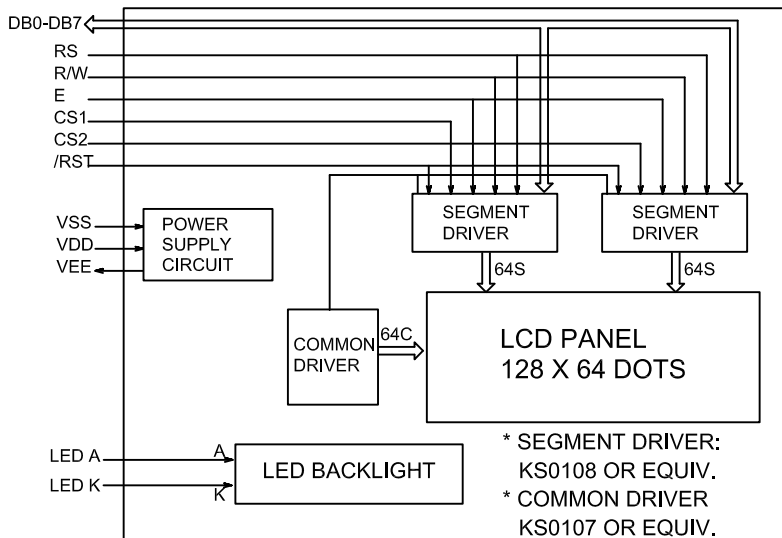


LINK-SUN (HONG KONG) ELECTRONICS LTD

Model No: LSM12864-1



* FOR LED BACKLIGHT
T1=14.0MAX T2=9.0±0.3
* FOR EL OR NO BACKLIGHT
T1=11.0MAX T2=6.0±0.3



PINS ASSIGNMENT		
NO.	SYMBOL	DESCRIPTION
1	VSS	GROUND
2	VDD	POWER SUPPLY FOR LOGIC AND LCD
3	V0	OPERATING VOLTAGE FOR LCD
4	RS	DATA/INSTRUCTION SELECT
5	R/W	READ/WRITE SELECT
6	E	ENABLE SIGNAL
7-14	DB0-DB7	DATA BUS
15	CS1	CHIP SELECT OF IC1 (HIGH EFFECTIVE)
16	CS2	CHIP SELECT OF IC2 (HIGH EFFECTIVE)
17	/RST	RESET SIGNAL(LOW EFFECTIVE)
18	VEE	NEGATIVE VOLTAGE OUTPUT/INPUT
19	A	POWER SUPPLY FOR LED BACKLIGHT(+)
20	K	POWER SUPPLY FOR LED BACKLIGHT(-)

OPTIONS	
1.	LCD TYPE: Y/G STN; GRAY STN; B/W FSTN
2.	BACKLIGHT: WITHOUT BACKLIGHT; LED; EL
3.	COLOR OF BACKLIGHT: Y/G; BLUE; WHITE
4.	TEMPERATURE RANGE: NORMAL(0--50C); EXTENDED(-20--70C)
5.	POWER SUPPLY: ON BOARD DC/DC(SINGLE 5.0V); DUAL POWER SUPPLY(5.0V & -10.0V)
6.	VIEWING ANGLE: 6H; 12H

ELECTRICAL CHARACTERISTICS					
ITEM	SYMBOL	MIN	TYP	MAX	UNIT
VOLTAGE FOR LOGIC	VDD-VSS	4.75	5.0	5.25	V
SUPPLY CURRENT	IDD	-	8.7	-	mA
LCD OPERATING VOLTAGE	0C	-	12.5	-	V
	25C	-	11.5	-	V
	40C	-	10.5	-	V
INPUT VOLTAGE	H ViH	0.7VDD	-	VDD	V
	L ViL	0	-	0.3VDD	V
WHITE LED VOLTAGE	VLED	-	3.1	3.3	V

MECHANICAL SPECIFICATIONS		
ITEM	SPECIFICATION	UNIT
OVERALL SIZE	93.0W x 70.0H x 14.0T(11.0T)	MM
VIEWING AREA	72.0W x 40.0H	MM
DOT NUMBER	128 x 64	DOTS
DOT SIZE	0.48W x 0.48H	MM
DOT PITCH	0.52W x 0.52H	MM

ABSOLUTE MAXIMUM RATING					
ITEM	SYMBOL	MIN	MAX	UNIT	
POWER SUPPLY(LOGIC)	VDD-VSS	0	6.5	V	
POWER SUPPLY(LCD DRV.)	VDD-V0	0	18.0	V	
INPUT VOLTAGE	Vi	Vi	VDD	V	