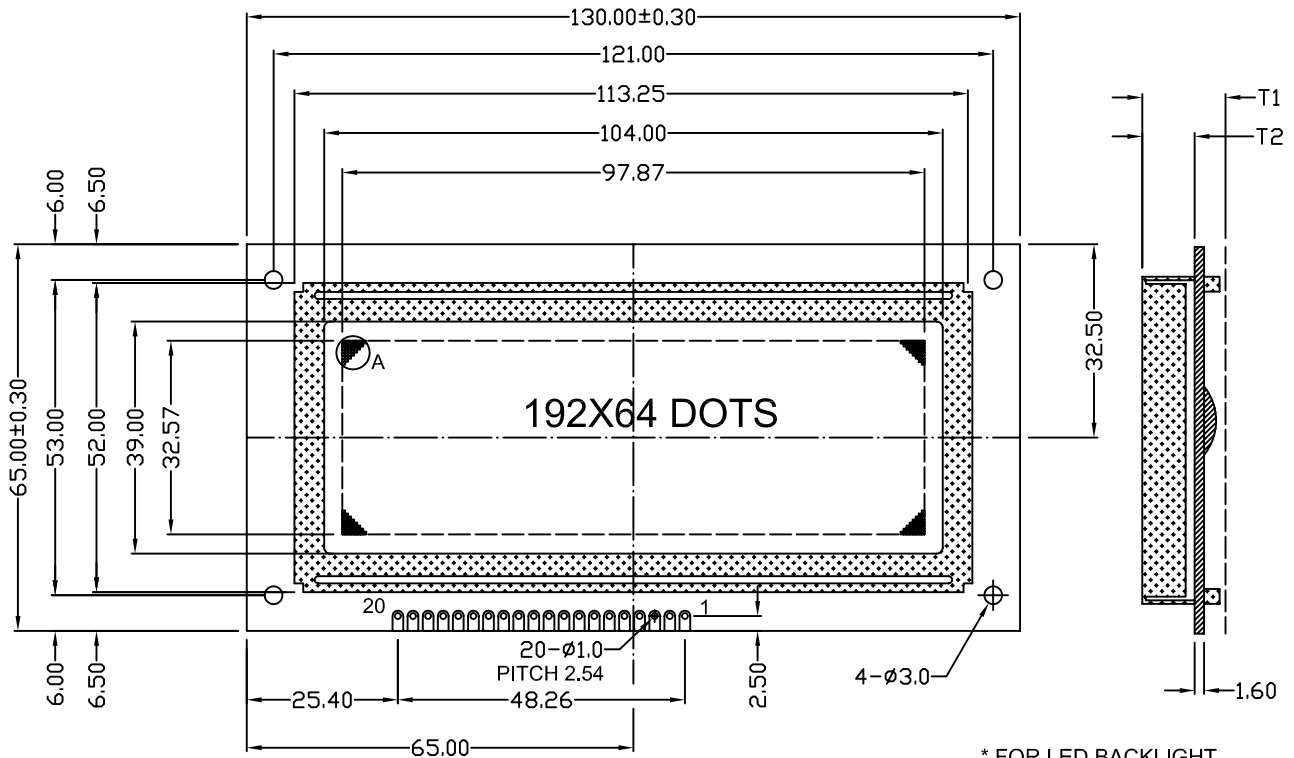
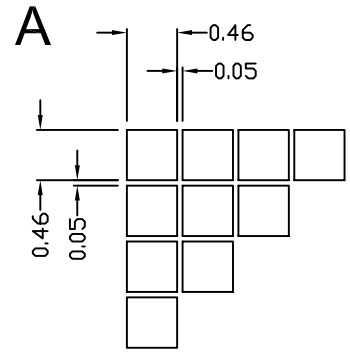
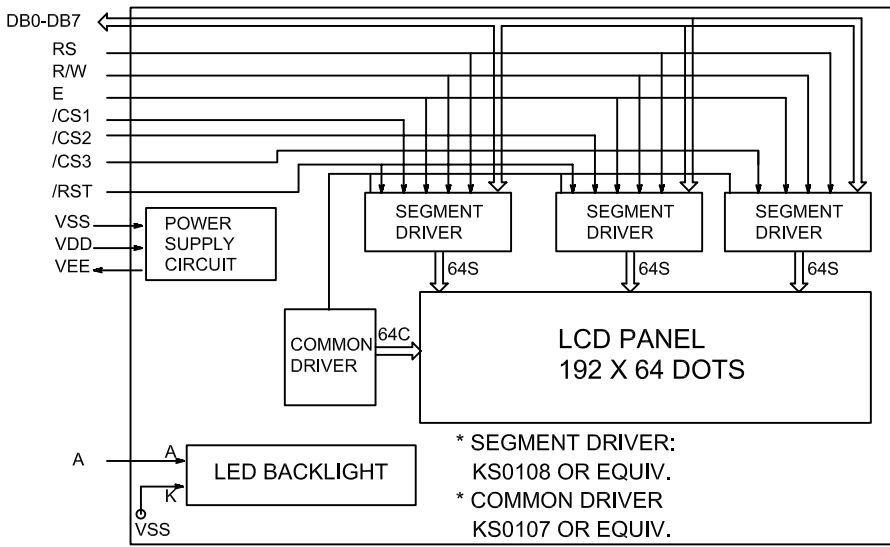


LINK-SUN (HONG KONG) ELECTRONICS LTD

Model No: LSM19264-1



* FOR LED BACKLIGHT
T1=14.0MAX T2=9.0±0.3
* FOR EL OR NO BACKLIGHT
T1=11.0MAX T2=6.0±0.3



* SEGMENT DRIVER:
KS0108 OR EQUIV.
* COMMON DRIVER
KS0107 OR EQUIV.

PINS ASSIGNMENT		
NO.	SYMBOL	DESCRIPTION
1	VSS	GROUND
2	VDD	POWER SUPPLY FOR LOGIC AND LCD
3	V0	OPERATING VOLTAGE FOR LCD
4	RS	DATA/INSTRUCTION SELECT
5	R/W	READ/WRITE SELECT
6	E	ENABLE SIGNAL
7-14	DB0-DB7	DATA BUS
15	/CS1	CHIP SELECT OF IC1 (LOW EFFECTIVE)
16	/RST	RESET SIGNAL(LOW EFFECTIVE)
17	/CS2	CHIP SELECT OF IC2 (LOW EFFECTIVE)
18	/CS3	CHIP SELECT OF IC3 (LOW EFFECTIVE)
19	VEE	NEGATIVE VOLTAGE OUTPUT/INPUT(-10V)
20	A	POWER SUPPLY FOR LED B.L.(+5.0V)

ELECTRICAL CHARACTERISTICS					
ITEM	SYMBOL	MIN	TYP	MAX	UNIT
VOLTAGE FOR LOGIC	VDD-VSS	4.75	5.0	5.25	V
SUPPLY CURRENT	IDD	-	5.1	9.8	mA
LCD OPERATING VOLTAGE	0C	-	9.2	-	V
	25C	-	9.0	-	V
	40C	-	8.8	-	V
INPUT VOLTAGE	H	V _{IH}	0.7VDD	-	VDD
	L	V _{IL}	0	-	0.3VDD
VOLTAGE FOR LED BL	VA-VSS	4.0	4.10	4.40	V

MECHANICAL SPECIFICATIONS		
ITEM	SPECIFICATION	UNIT
OVERALL SIZE	130.0W x 65.0H x 14.0T(10.0T)	MM
VIEWING AREA	104.0W x 39.0H	MM
DOT NUMBER	192 x 64	DOTS
DOT SIZE	0.46W x 0.46H	MM
DOT PITCH	0.51W x 0.51H	MM

OPTIONS	
1.	LCD TYPE: Y/G STN; GRAY STN; B/W FSTN
2.	BACKLIGHT: WITHOUT BACKLIGHT; LED; EL
3.	COLOR OF BACKLIGHT: Y/G; BLUE; WHITE
4.	TEMPERATURE RANGE: NORMAL(0-50C); EXTENDED(-20-70C)
5.	POWER SUPPLY: ON BOARD DC/DC(SINGLE 5.0V); DUAL POWER SUPPLY(5.0V & -10.0V)
6.	VIEWING ANGLE: 6H; 12H

ABSOLUTE MAXIMUM RATING				
ITEM	SYMBOL	MIN	MAX	UNIT
POWER SUPPLY(LOGIC)	VDD-VSS	0	6.5	V
POWER SUPPLY(LCD DRV.)	VDD-V0	0	18.0	V
INPUT VOLTAGE	V _I	V _I	VDD	V