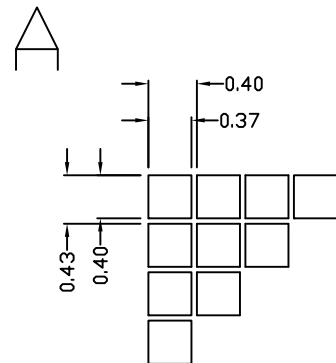
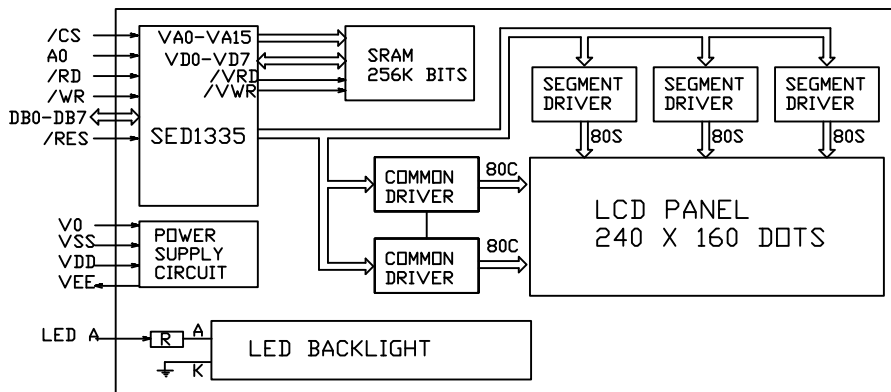
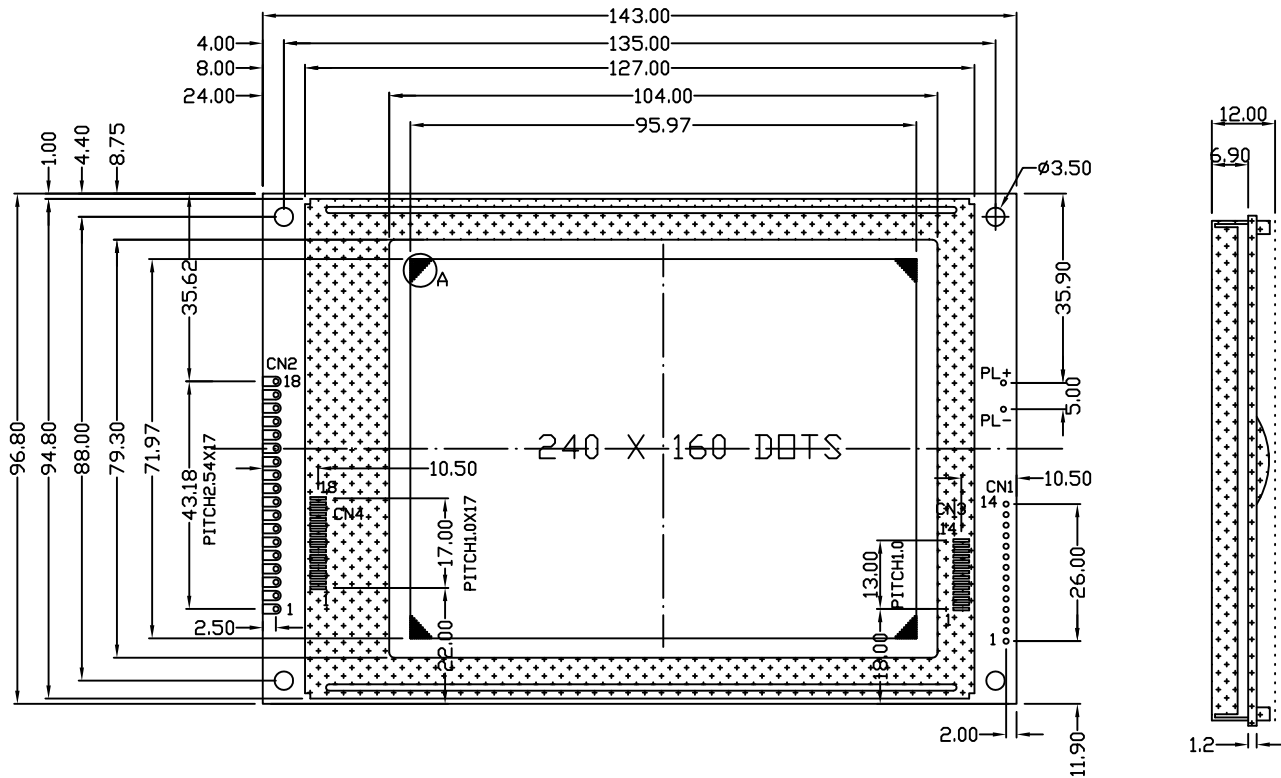


# LINK-SUN (HONG KONG) ELECTRONICS LTD

## Model No: LSM240160-1



PINS ASSIGNMENT			
CN1		CN2	
NO.	SYMBOL	NO.	SYMBOL
1	FRAME	1	VSS
2	M	2	VDD
3	CL1	3	V0
4	CL2	4	/WR
5	DISPOFF	5	/RD
6-9	DO-DB7	6	/CS
10	VDD	7	A0
11	VSS	8	/RES
12	VEE	9-16	DB0--DB7
13	V0	17	ELC
14	FG	18	VEE
PL+	POWER SUPPLY FOR LED BACKLIGHT (+)		
PL-	POWER SUPPLY FOR LED BACKLIGHT (-)		

### OPTIONS

- LCD TYPE: Y/G STN; GRAY STN; B/W FSTN
- BACKLIGHT: WITHOUT BACKLIGHT; LED; EL; CCFL
- COLOR OF BACKLIGHT: Y/G; BLUE; WHITE
- TEMPERATURE RANGE: NORMAL(0--50C)
- POWER SUPPLY: ON BOARD DC/DC(SINGLE 5.0V);
- VIEWING ANGLE: 6H;

ELECTRICAL CHARACTERISTICS					
ITEM	SYMBOL	MIN	TYP	MAX	UNIT
VOLTAGE FOR LOGIC	VDD-VSS	4.75	5.0	5.25	V
SUPPLY CURRENT	IDD	-	12.0	-	mA
LCD OPERATING VOLTAGE	0C	-	19.0	-	V
	25C	-	18.0	-	V
	40C	-	17.5	-	V
INPUT VOLTAGE	H	VIH	0.7VDD	-	VDD V
	L	VIL	0	-	0.3VDD V

### MECHANICAL SPECIFICATIONS

ITEM	SPECIFICATION	UNIT
OVERALL SIZE	143.0W x 96.8H x 12.0T	MM
VIEWING AREA	104.0W x 79.3H	MM
DOT NUMBER	240 x 160	DOTS
DOT SIZE	0.37W x 0.40H	MM
DOT PITCH	0.40W x 0.43H	MM

### ABSOLUTE MAXIMUM RATING

ITEM	SYMBOL	MIN	MAX	UNIT
POWER SUPPLY(LOGIC)	VDD-VSS	0	6.5	V
POWER SUPPLY(LCD DRV.)	VDD-V0	0	18.0	V
INPUT VOLTAGE	Vi	Vi	VDD	V