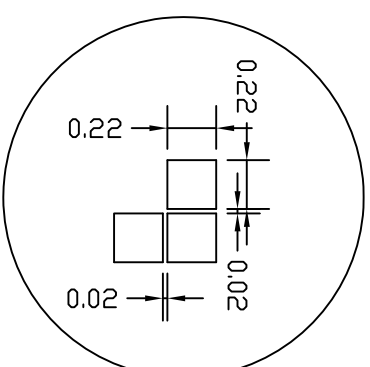
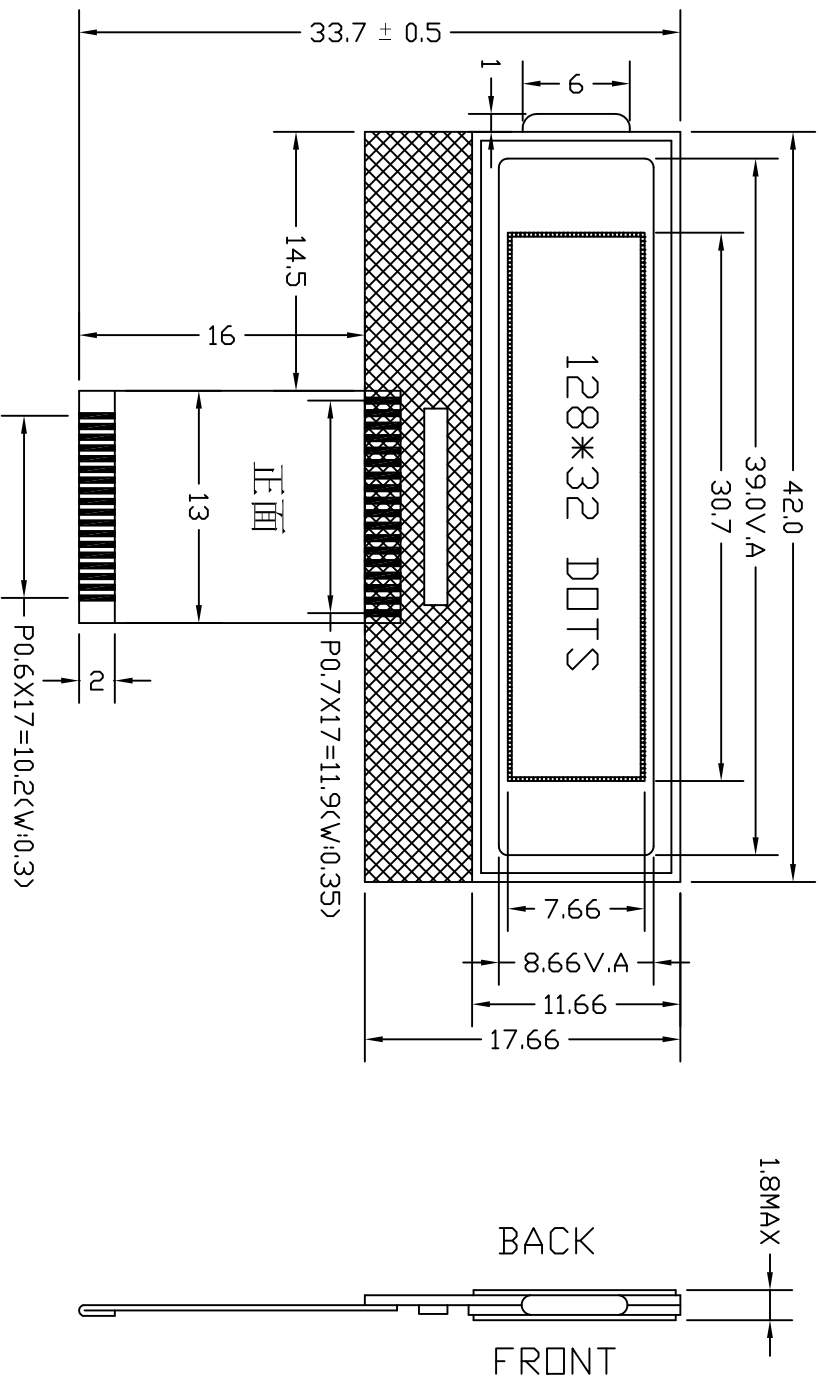


LINK-SUN (HONG KONG) ELECTRONICS LTD

Model No: LSMC12832-2



PIN	NAME
1	/CS1B
2	/RESETB
3	RS
4	SCLK
5	SID
6	VDD
7	VSS
8	VOUT
9	C3+
10	C1-
11	C1+
12	C2+
13	C2-
14	V1
15	V2
16	V3
17	V4
18	V0

1. ALL DIMENSIONS ARE IN mm WITH ± 0.20 TOLERANCE UNLESS OTHERWISE SPECIFIED
2. VIEWING ANGLE: 6:00 O'CLOCK
3. POLARIZER TYPE: TRANSPARENT, POSITIVE
4. DISPLAY TYPE: FSTN
5. OPERATING VOLTAGE: 3.0V
6. DRIVE MODE: 1/33 DUTY, 1/6 BIAS
7. OPERATING TEMPERATURE: $-20^{\circ}\text{C} \sim +70^{\circ}\text{C}$
8. STOPAGE TEMPERATURE: $-30^{\circ}\text{C} \sim +80^{\circ}\text{C}$
9. CONNECTOR: COG / S6B0724

Tel:86-755-86009867

Fax:86-755-86009316

Website:www.link-sun.com

Email:linksun@link-sun.com