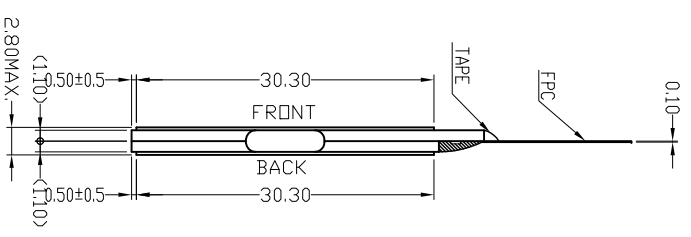
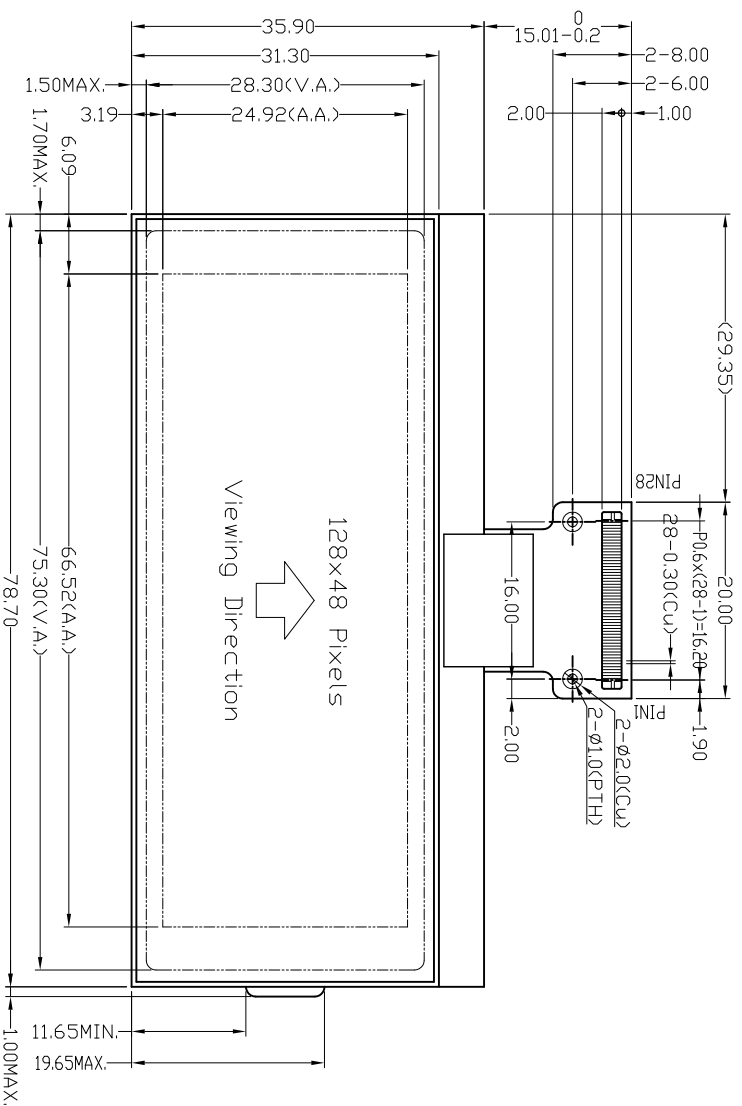
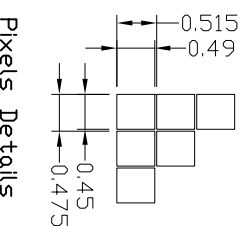


# LINK-SUN (HONG KONG) ELECTRONICS LTD

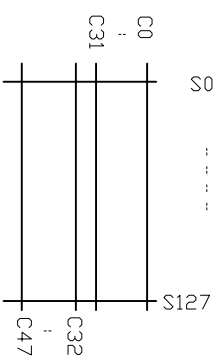
Model No: LSMC12848-1



No.	Terminal Pin Name
1	VDD
2	LED C
3	VSS
4	SI
5	SCLK
6	A0
7	/RES
8	/CS



- Note:
- \*1. LCD Display Type : FSTN, Positive, Transmissive
  - \*2. Viewing Direction : 6H
  - \*3. Duty : 1/65; Bias : 1/9
  - \*4. Operating Voltage : 5.0V, V<sub>LCD</sub> = 9.0V
  - \*5. Operating Current : TBD
  - \*6. Operating Temperature : -10°C~60°C
  - \*7. Storage Temperature : -20°C~70°C
  - \*8. Control/Drive IC : ST7565R
  - \*9. Connector : CDG/FPC



Panel wiring Details

Tel:86-755-86009867

Fax:86-755-86009316

Website:www.link-sun.com

Email:linksun@link-sun.com