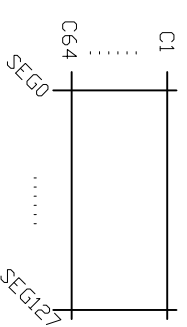
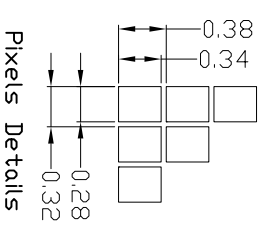
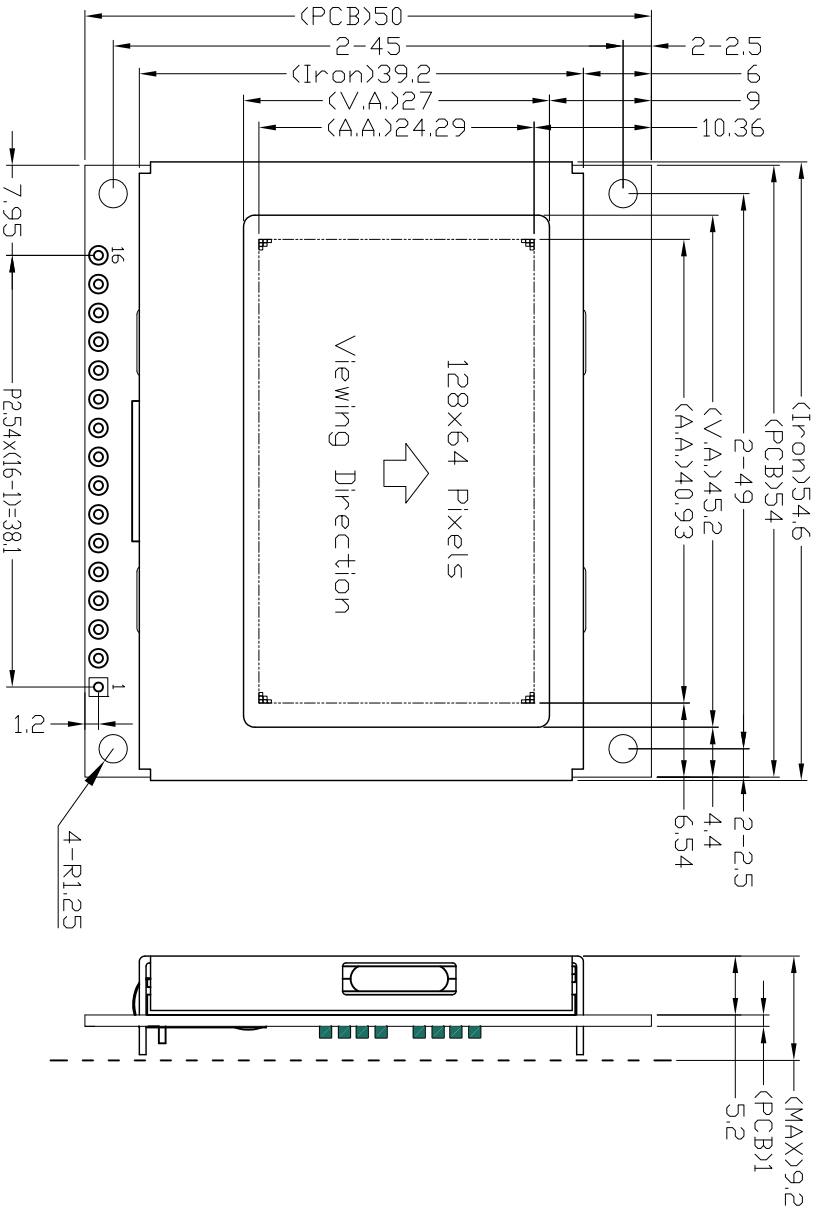


# LINK-SUN (HONG KONG) ELECTRONICS LTD

## Model No: LSMC12864-7



Panel wiring Details

PIN	SYMBOL
1	DB0
2	DB1
3	DB2
4	DB3
5	DB4
6	DB5
7	DB6(SCL)
8	DB7(SI)
9	VDD
10	VSS
11	LED+
12	/CS
13	/RESET
14	A0
15	/WR(RW)
16	/RD(E)

Note:

- \*1. LCD Display Type : STN-Blue, Negative, Transmissive
- \*2. Viewing Direction : 6H
- \*3. Duty : 1/65; Bias : 1/9; Vop : 9.6V
- \*4. Operating Voltage : 3.3V
- \*5. Operating Temperature : -20°C~70°C
- \*6. Storage Temperature : -30°C~80°C
- \*7. Control/Drive IC : ST7565
- \*8. Backlight : White LED(3.1V)