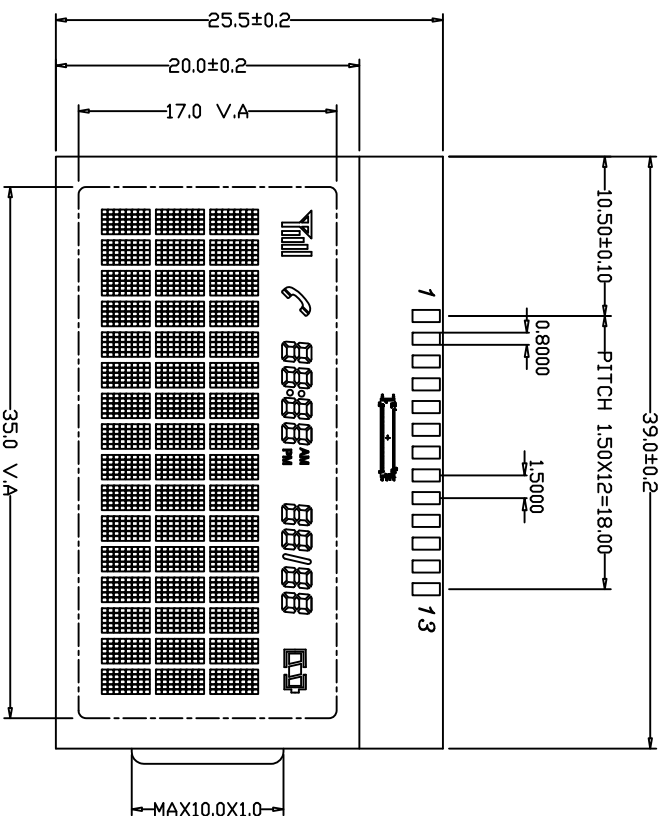
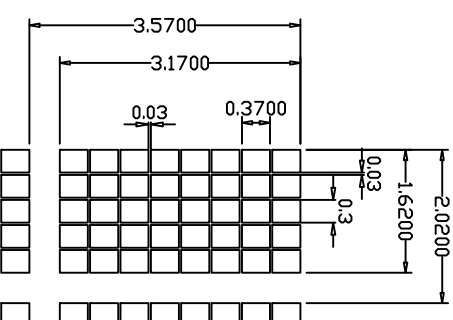
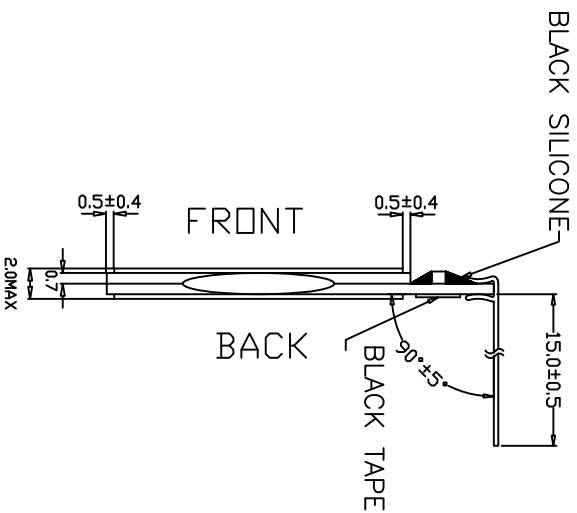


LINK-SUN (HONG KONG) ELECTRONICS LTD

Model No: LSMC1603-1



PIN	1	2	3	4	5	6	7
CONNECTION	RST	SCL	SDA	VSS	VDD	VOULT	C1P
PIN	8	9	10	11	12	13	
CONNECTION	C1N	V0	V1	V2	V3	V4	



LCD type: STN-YELLOW
Display mode: Positive
Polarizer type: T/H
Viewing Angle: 6:00
Connector : Pin

Drive voltage: 3.3V
Duty: 1/25 **Bias:** 1/5
Operating Temp: 0°C~50°C
Storage Temp: -10°C~60°C

Tel:86-755-86009867

Fax:86-755-86009316

Website:www.link-sun.com

Email:linksun@link-sun.com